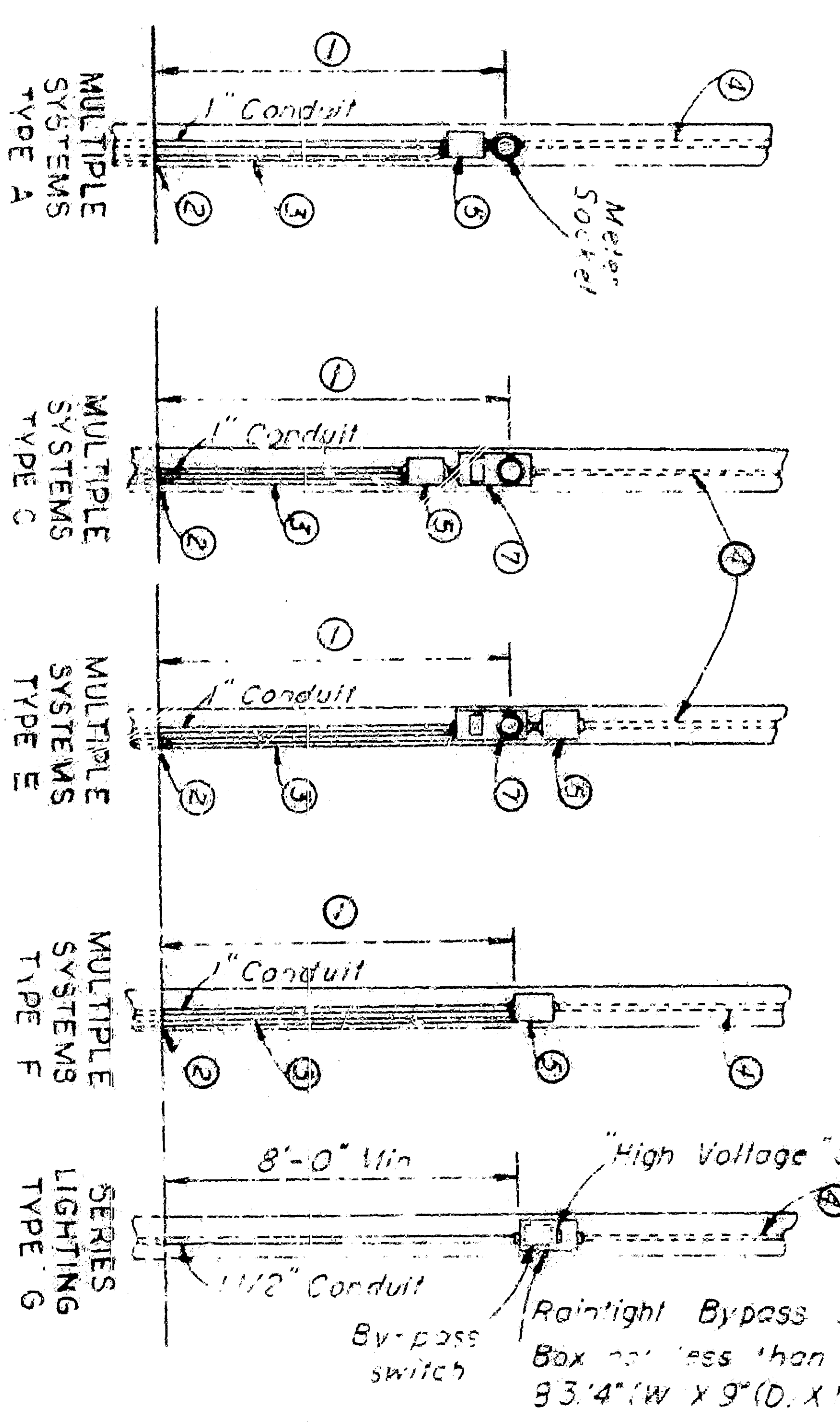


ISOLUX LINES OF MINIMUM HORIZONTAL FOOT CANDLES

See 2nd Highway Lighting Lumen Foot Candle Chart, 20,000 Lumen Mercury Vapor Lamp

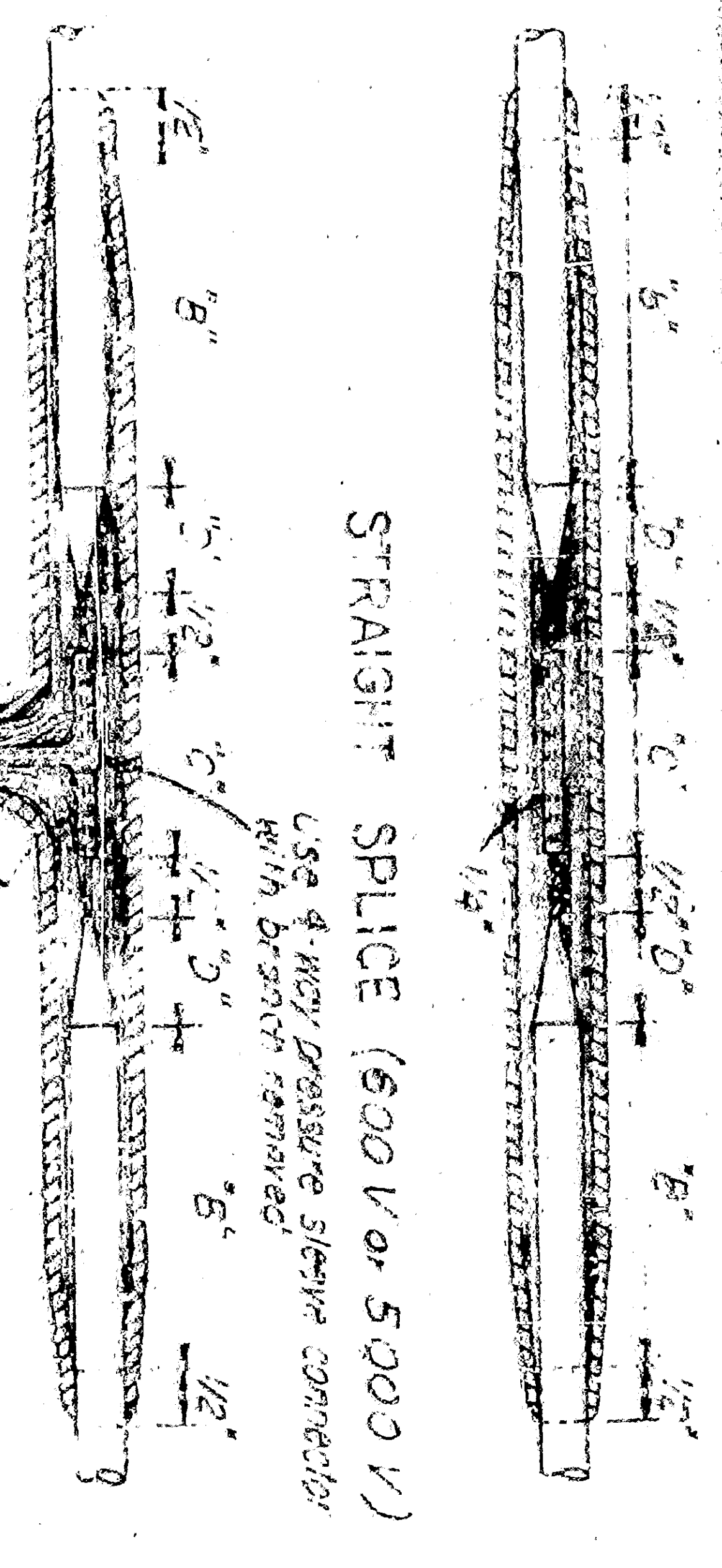
Scale: 1" = 50'



- ① Height of service equipment to be obtained from serving utility.
- ② See grounding details of right for Types A, C, E, F.
- ③ Grounding conductor raceway shall be 1/2" conduit for hardwood mounting.
- ④ If service pole is utility owned service conductor's raceway and entrance fittings shall be furnished by contractor and installed by serving utility. On State owned poles contractor shall also install the service conductors, raceway and entrance fittings. Service raceway and entrance fittings shall be furnished with a service head or shall be served to prevent the entrance of rodents as approved by the serving utility.
- ⑤ Switch as specified in Right of Way Manual.
- ⑥ Meter Socket Box as approved by serving utility with either manual circuit cutting device or space for 125V block, as specified.

SERVICE DETAILS

NO SCALE



STRAIGHT SPLICE DIMENSIONS - Inches

| AWG | "B" | "D" |
|-----------------------------|--------|--------|
| 600 Volt 14, 12 or 10 Solid | 1 1/2" | 1 1/2" |
| 600 Volt 8, 6 or 4 Stranded | 2 1/2" | 1 1/2" |
| 500V Volt 8 Solid | 3 1/4" | 1 1/2" |
| 600 Volt 4, 2 or 10 Solid | 2" | 1 1/2" |

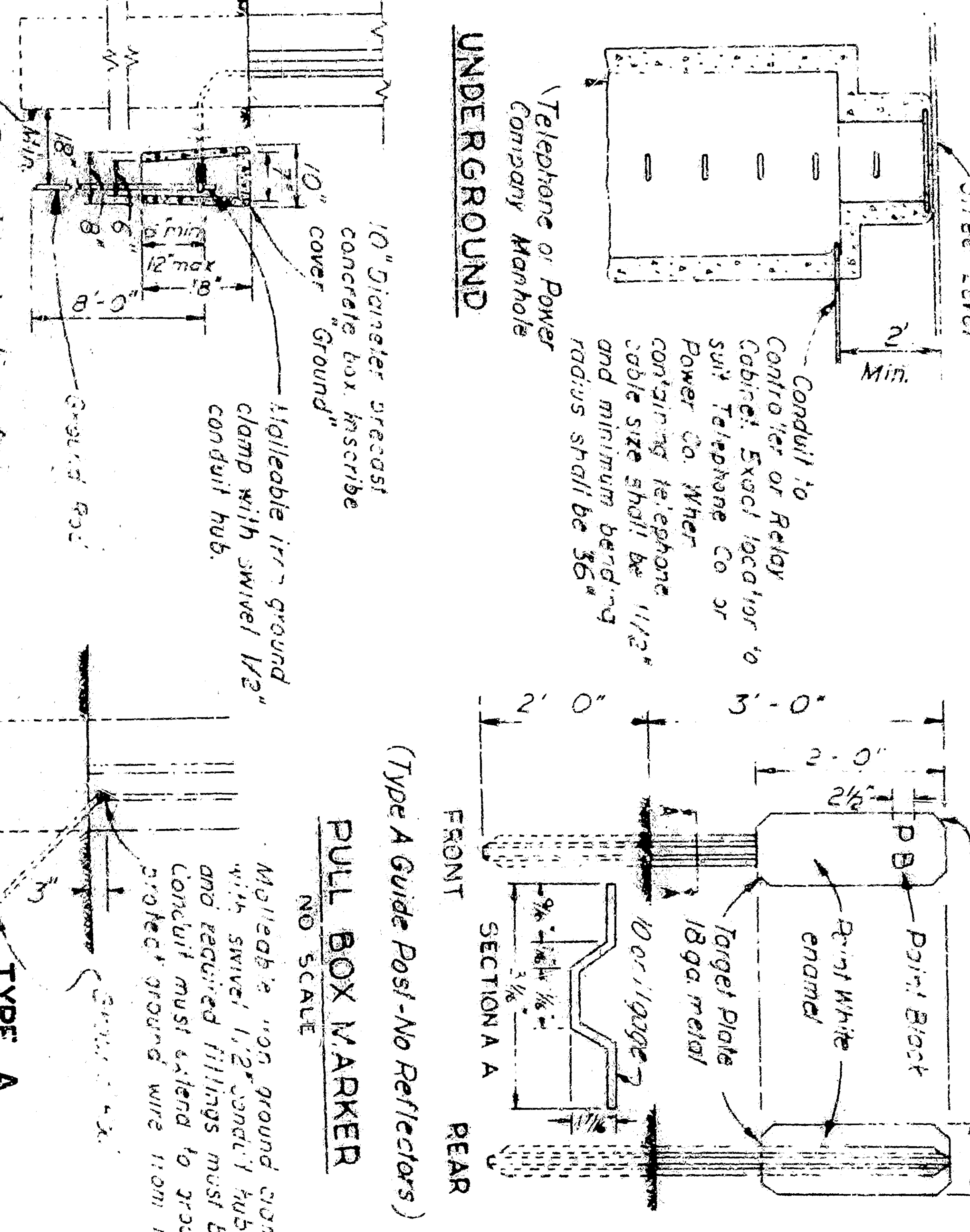
T-SPLICE DIMENSIONS - Inches

| AWG | "B" | "D" |
|---------------------------|-----|--------|
| 600 Volt 4, 2 or 10 Solid | 2" | 1 1/2" |

- PROCEDURE**
(Up to 10 AWG only)
- Remove insulation from each conductor to distance 1/2" x 1/2" and strip.
 - Remove 1/2" insulation from each conductor to distance 1/2" x 1/2" and strip.
 - Strip conductors and strip conductor entering over shield cable ends.
 - Strip conductors and strip conductor entering over shield cable ends.
 - Strip conductors and strip conductor entering over shield cable ends.
 - Strip conductors and strip conductor entering over shield cable ends.

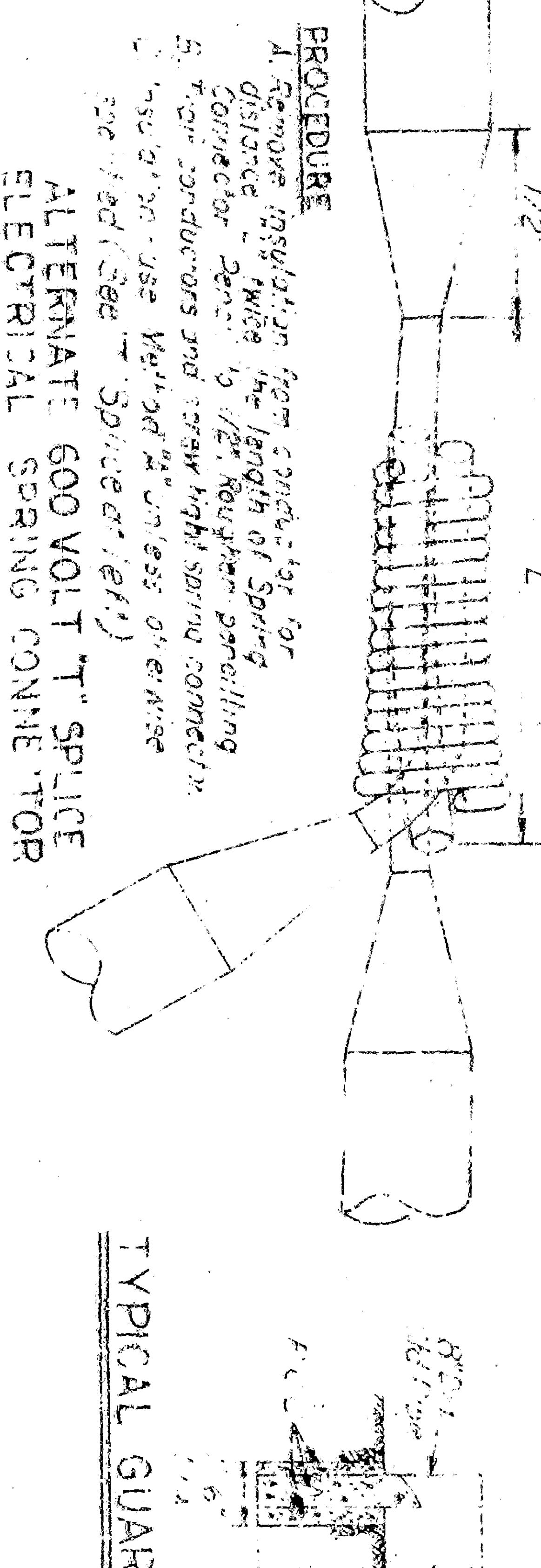
SPLICING DETAILS

NO SCALE



SERVICE GROUNDING DETAILS

NO SCALE



STRAIGHT SPLICE DIMENSIONS - Inches

| AWG | "B" | "D" |
|-----------------------------|--------|--------|
| 600 Volt 14, 12 or 10 Solid | 1 1/2" | 1 1/2" |
| 600 Volt 8, 6 or 4 Stranded | 2 1/2" | 1 1/2" |
| 500V Volt 8 Solid | 3 1/4" | 1 1/2" |
| 600 Volt 4, 2 or 10 Solid | 2" | 1 1/2" |

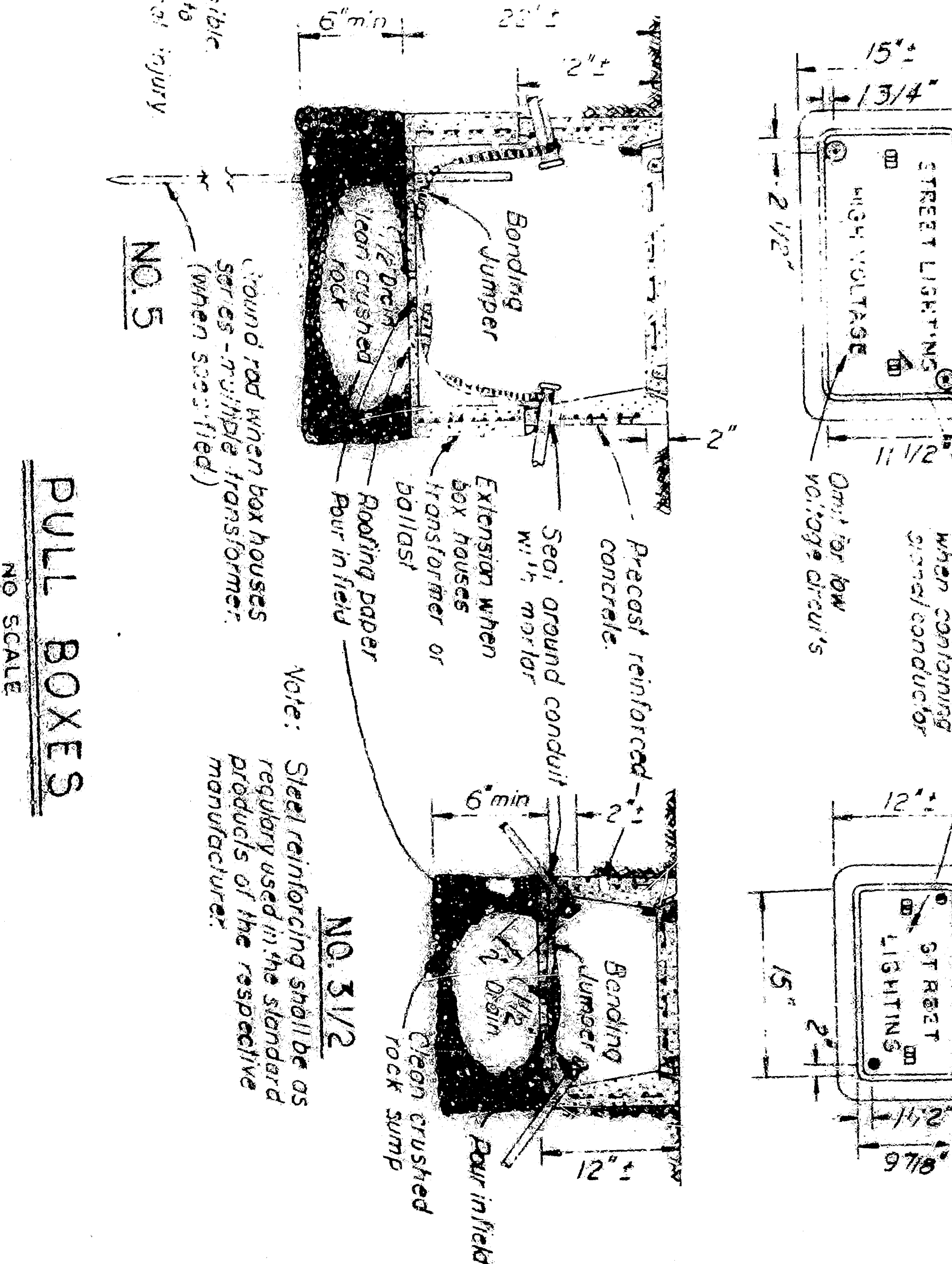
T-SPLICE DIMENSIONS - Inches

| AWG | "B" | "D" |
|---------------------------|-----|--------|
| 600 Volt 4, 2 or 10 Solid | 2" | 1 1/2" |

- PROCEDURE**
(Up to 10 AWG only)
- Apply one coat of approved rubber cement, allow to dry.
 - For Circuits Up to 2,000 Volts.
 - Apply self-healing synthetic rubber tape to thickness equal to original insulation.
 - For Circuits Above 2,000 Volts.
 - Apply self-healing synthetic rubber tape, use 3/32" thickness equal to original insulation.
 - Apply two layers of self-healing synthetic rubber tape, half lapped.
 - Apply two layers of self-healing synthetic rubber tape, half lapped.
 - Apply two layers of self-healing synthetic rubber tape, half lapped.
 - Apply two layers of self-healing synthetic rubber tape, half lapped.
 - Apply two layers of self-healing synthetic rubber tape, half lapped.
 - Apply two layers of self-healing synthetic rubber tape, half lapped.

TYPICAL GUARD POST

NO SCALE



PULL BOXES

NO SCALE

REDEVELOPMENT AGENCY OF THE CITY OF SAN BERNARDINO

DEPARTMENT OF ENGINEERING

CITY OF SAN BERNARDINO

MEADOWBROOK PROJECT AREA NO. 1

ACCEPTED BY: *[Signature]*

DESIGNED BY: *[Signature]*

CHECKED BY: *[Signature]*

DRAWN BY: *[Signature]*

DATE: 6-1-59

SHEET 7 OF 7

SCALE AS NOTED

STATE OF CALIFORNIA

DEPARTMENT OF PUBLIC WORKS

DIVISION OF HIGHWAYS

STANDARD DETAILS

HIGHWAY LIGHTING INSTALLATIONS

DATE: 2-24-44

February 9, 1958

February 9, 1958

February 9, 1958